



CAHP - 3HP

Air to Water Heat Pump

Storage Capacity - 450 litres
Output - 8kW



REGISTERED OFFICE:

A. O. Smith India Water Products Private Limited

(formerly known as A. O. Smith India Water Heating Private Limited)

Plot No. 300, Phase - II, KIADB Industrial Area, Harohalli, Kanakapura Taluk, Ramanagara District, Karnataka – 562 112, India.

REGIONAL OFFICES:

CHENNAI:

No: 267, Second Floor,
Kilpauk Garden Road,
Kilpauk,
Chennai – 600010, India.

DELHI:

105 & 106, Plot No.19, Sagar Plaza,
Laxmi Nagar District Centre,
Vikas Marg, Laxmi Nagar,
New Delhi – 110 092, India.

KOLKATA:

224 A, Office No. 811,
8th Floor, Krishna Building,
AJC Bose Road,
Kolkata – 700 017, India.

MUMBAI:

Sanjar Enclave,
No. 509, CTS No. 428, S.V. Road,
Opp. Milap Cinema, Kandivali (West),
Mumbai – 400 067, India.

PUNE:

401 & 402, Citi Mall,
Ganeshkhind Road
Near Pune University,
Pune – 411 007, India.

CAHP - 3HP

The CAHP heat pump water heater is an integrated system that utilises the heat pump technology to provide more efficient way to heat water with electricity. CAHP pulls heat from surrounding air and deposits the heat into the tank. The end result is very efficient production of hot water with cooler and dehumidified air as a welcome by-product.

Suitable for villas and light commercial applications

FEATURES:

ENERGY SAVING & ENVIRONMENT FRIENDLY

- Absorbs Environment heat and transfers it to the water, at the same time cooling and dehumidifying the ambient air.
- "Environmental-friendly" R-134a refrigerant.
- Dual operating modes maximise efficiency & meet increasing hot water needs.
- High capacity storage tank enables heat pump to operate more frequently than the heating elements. This provides higher efficiency & cover operating costs, saving money for the home owner.



ALL ROUND SAFETY

- Triple protection - Humidity sensor, built-in Anti-dry & Anti-frost function.
- Water can be heated upto 65°C with heat pump mode, which prevents breeding of Legionella bacteria.



SMART & CONVENIENT

- Large LCD touch pad display which communicates current status and displays error messages in plain English when applicable.
- Intuitive icons clearly indicate the current operating mode



LCD remote

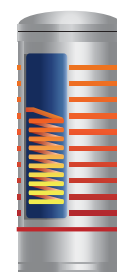
OPERATING MODES

Efficiency: Energy conservation mode, Extracts heat from the surrounding air, concentrating the heat and transferring it to the water.

Hybrid: This mode uses the heat pump for efficiency, but will use the electrical element for quick recovery following increased hot water usage.

HIGH EFFICIENCY CONDENSER

Internal & external two stage coil condenser. The external coil preheats the cold water at the bottom of the tank, there by improving the energy efficiency of the unit.



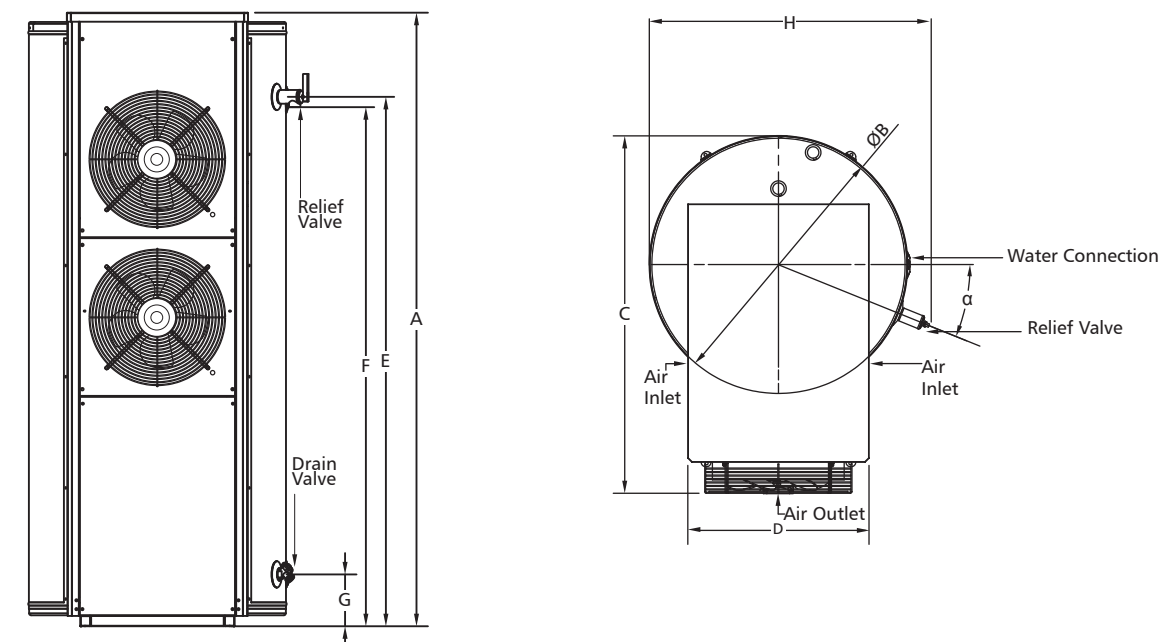
Dual Condenser

CAHP - 3HP

TECHNICAL SPECIFICATIONS-CAHP-120C

Model		CAHP 120C 06	CAHP 120C 08	CAHP 120C 10	CAHP 120C 12	
Heat Pump Nominal Input Power	kW	2.25				
Heat Pump Nominal Heating Capacity	kW	8.5				
Element Power	kW	6	8	10	12	
Maximum input power	kW	12	13	13.1	15.1	
Maximum Heating Capacity	kW	14	16	18	20	
Maximum Operation Current	380V/3N/50Hz	A	15.8	21	26.3	31.5
	220V/1N/50Hz	A	47.1	57.5	68.1	78.5
Maximum Water Temperature of Heat Pump Operation	°C	65				
Water Temperature Setting Range	°C	35~82				
Tank Volume	L	430				
Net / Operation Weight	kg	264 / 694				
Hot Water Delivery Rate	Efficiency /Standard Mode	L/h	182	182	182	182
	High Demand /Winter Mode	L/h	310	353	396	439
Refrigerant Charge Quantity	g	R134a / 2250				
Heat Pump Operation Ambient Temperature Range	°C	0~48				
Unit operation Ambient Temperature Range	°C	-10~50				
Sound Level (Sound Pressure @ 1m)	dB	59				

External dimensions



EXTERNAL DIMENSIONS

Model	Total height A (mm)	Tank diameter B (mm)	Maximum depth C (mm)	Service panel width D (mm)	Relief valve height E (mm)	Water outlet height F (mm)	Water inlet height G (mm)	Relief valve angle α (°)	Maximum width H (mm)
CAHP-120C	1770	711	1002	600	1476	1468	153	22	770